



TECHNICAL DATA SHEET

K-8085-SS

Wall mount door bumper
with stainless steel concealed mounting.

DRAWN BY:

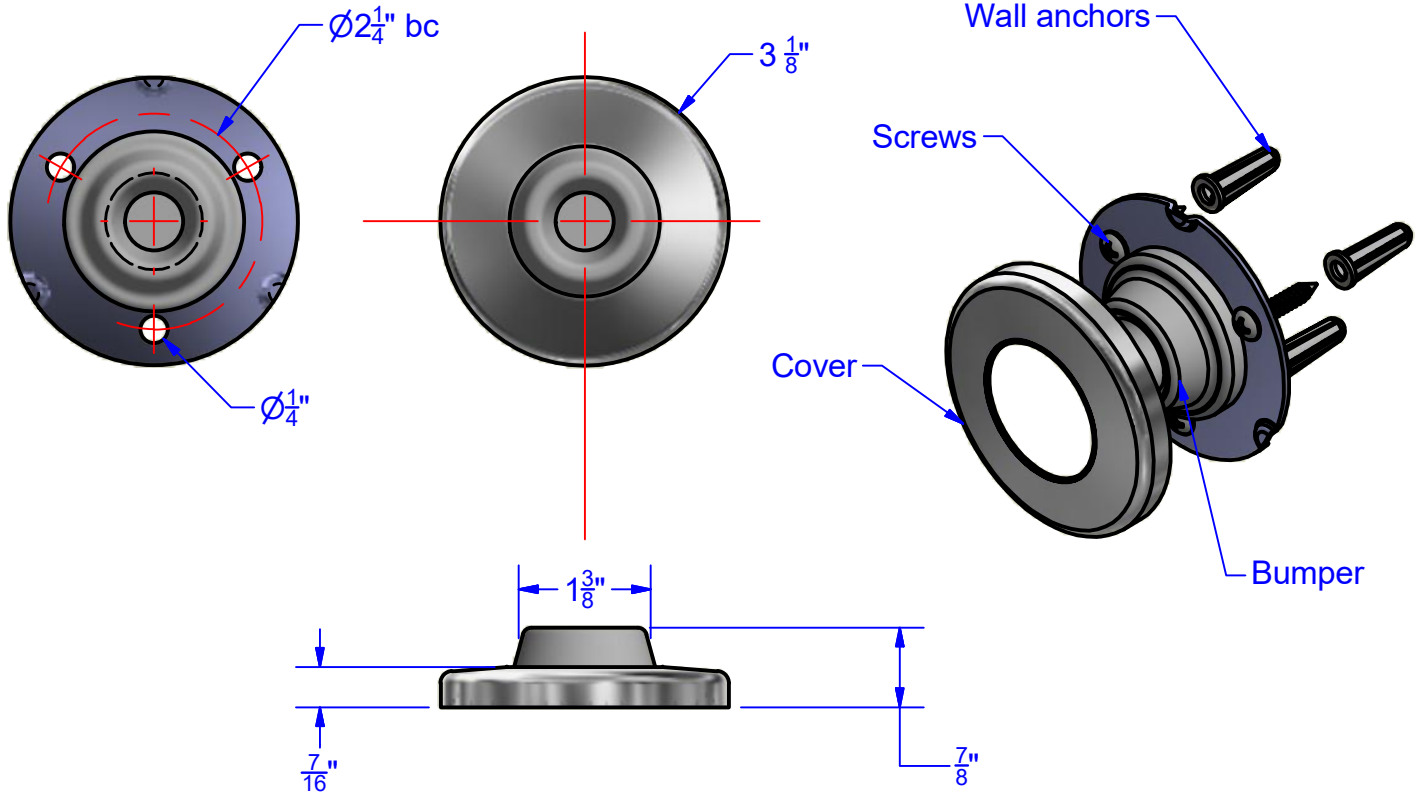
dmartin

10/6/2017

TOLERANCES:

FRACTION : ± 1/32" X.XX : ± 0.015

∠ : ± 1° X.XXX : ± 0.010



Construction:

Flange: 14 gauge stainless steel with (3) 1/4" mounting holes.

Cover: 22 gauge type 304 stainless steel

Bumper: concave gray rubber fixed to mounting flange.

Screws: #10 x 1 " phillips round head 18-8 stainless steel.

Installation:

Align bumper to where door handle will hit the wall.

Fasten to wall using (3) supplied screws and wall anchors.

Hole orientation may be in any direction.

It is recommended to apply silicone caulk around the cover and wall joint.

Guide Specification:

Concealed wall mount

Concave gray rubber door bumper

3 1/8" \varnothing stainless steel cover.

Satin #4 brush finish.